

TECHNOLOGY REPORT

Marshall Electronics, Inc.

1910 East Maple Av, El Segundo, CA 90245 USA

TEL : 310-333-0606

FAX : 310-333-0688

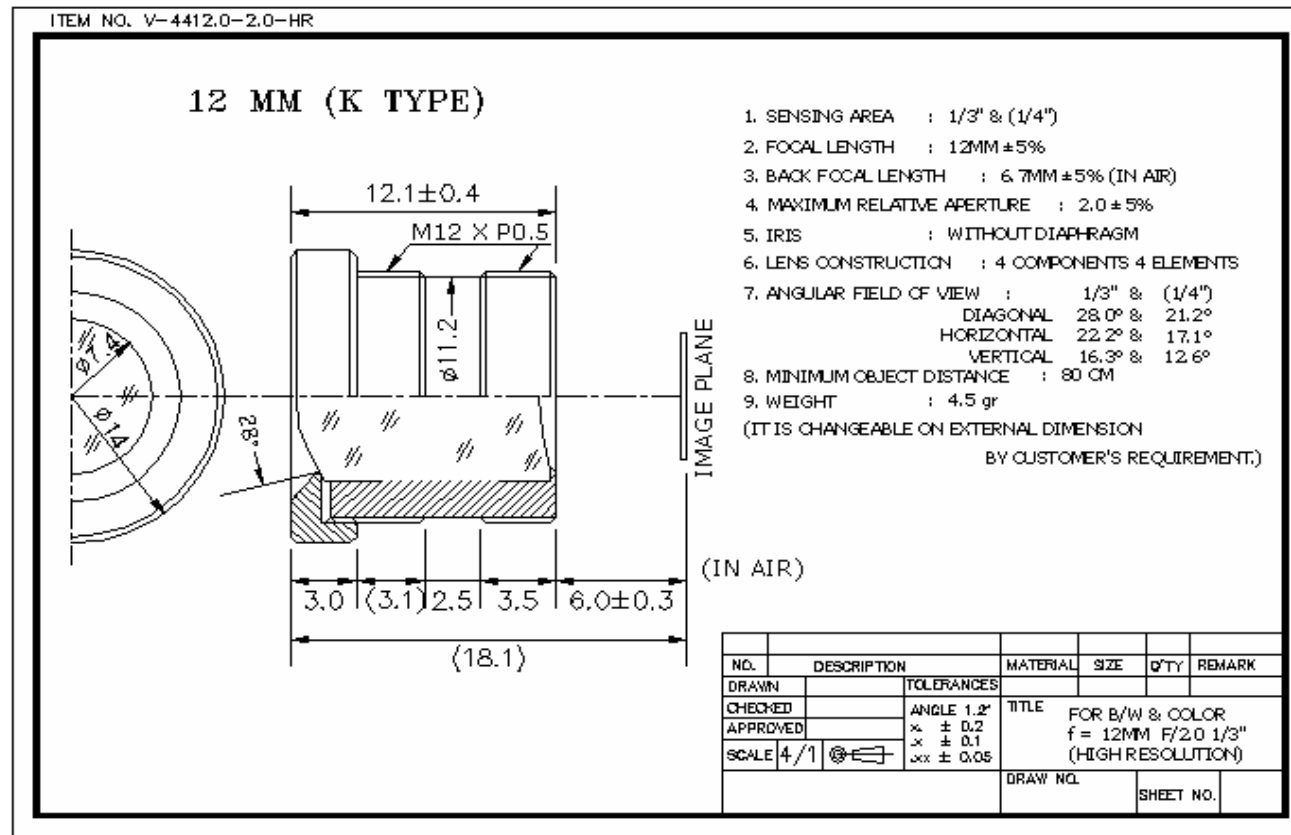
Website: www.mars-cam.com

Email: sales@mars-cam.com

V-4412.0-2.0-HR Lens

12.0mm F2.0 High Resolution CCTV Lens

Specification Sheet Date



TECHNOLOGY REPORT

Marshall Electronics, Inc.

1910 East Maple Av, El Segundo, CA 90245 USA

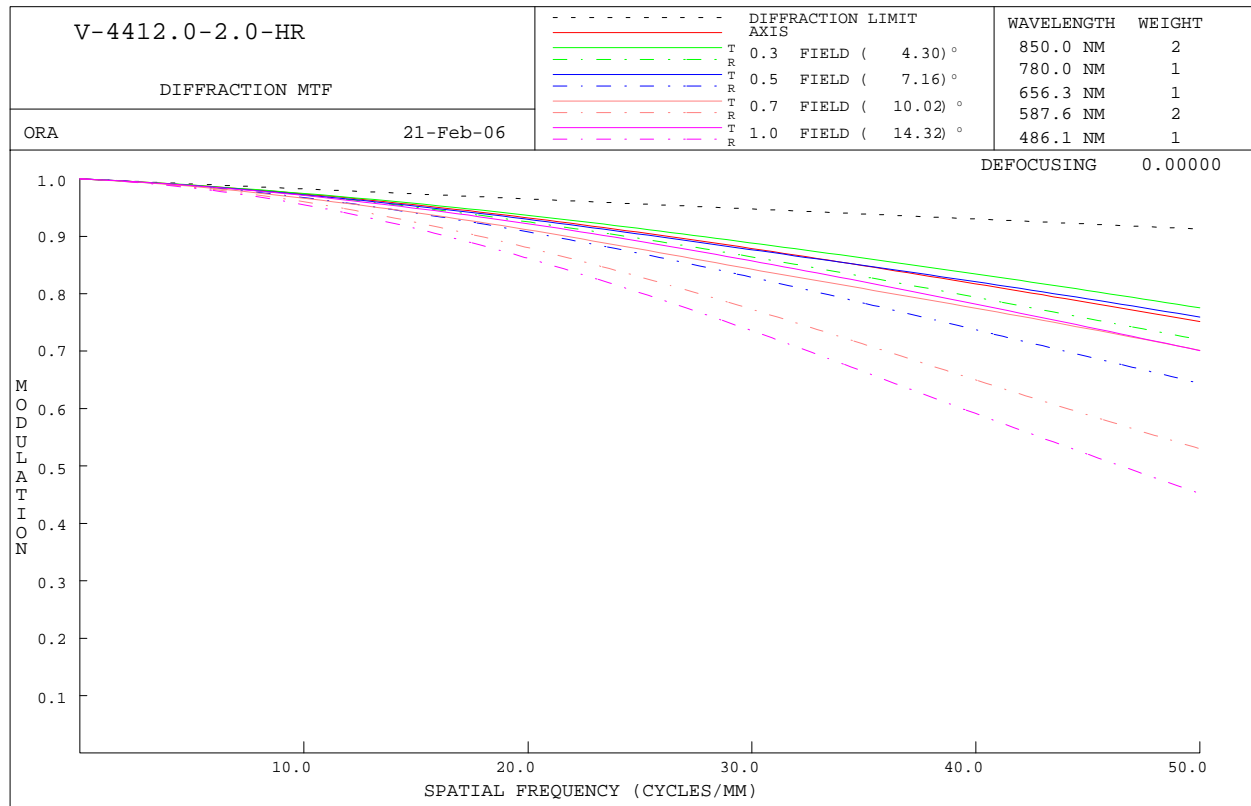
TEL : 310-333-0606

FAX : 310-333-0688

Website: www.mars-cam.com

Email: sales@mars-cam.com

MTF (modulation transfer function)



TECHNOLOGY REPORT

Marshall Electronics, Inc.

1910 East Maple Av, El Segundo, CA 90245 USA

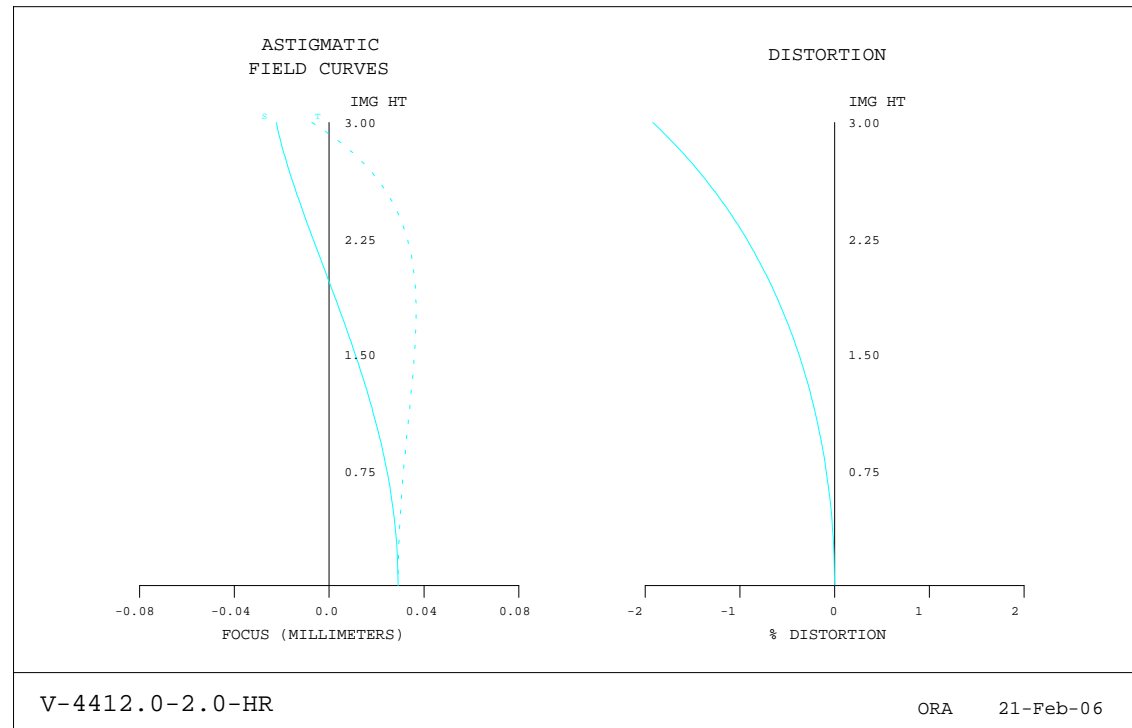
TEL : 310-333-0606

FAX : 310-333-0688

Website: www.mars-cam.com

Email: sales@mars-cam.com

Optical Distortion



TECHNOLOGY REPORT

Marshall Electronics, Inc.

1910 East Maple Av, El Segundo, CA 90245 USA

TEL : 310-333-0606

FAX : 310-333-0688

Website: www.mars-cam.com

Email: sales@mars-cam.com

ROTATIONALLY SYMMETRIC FIELD ABERRATIONS

POSITION 1 V-4412.0-2.0-HR

WAVELENGTH 656.3 NM

RELATIVE FIELD HEIGHT	IMG HT	X-FOCUS AT THE IMAGE SURFACE	Y-FOCUS	X-FOCUS (DISPLACED BY 0.000000)	Y-FOCUS	DISTORTION (PER CENT)
0.00	0.00	0.029051	0.029051	0.029051	0.029051	0.00000
0.10	0.30	0.028268	0.029443	0.028268	0.029443	-0.01419
0.20	0.60	0.025949	0.030571	0.025949	0.030571	-0.05722
0.30	0.90	0.022184	0.032269	0.022184	0.032269	-0.13047
0.40	1.20	0.017125	0.034228	0.017125	0.034228	-0.23638
0.50	1.50	0.010989	0.035939	0.010989	0.035939	-0.37865
0.60	1.80	0.004068	0.036614	0.004068	0.036614	-0.56259
0.70	2.10	-0.003265	0.035035	-0.003265	0.035035	-0.79570
0.80	2.40	-0.010538	0.029346	-0.010538	0.029346	-1.08850
0.90	2.70	-0.017156	0.016696	-0.017156	0.016696	-1.45603
1.00	3.00	-0.022354	-0.007339	-0.022354	-0.007339	-1.92033

Units of focus are MILLIMETERS